

Uponder Tilt Tables

Model UT90-20-40-60



Installation, Operation and Service Manual

Model Number _____

Serial # _____

Date Placed in Service _____

**IMPORTANT: READ CAREFULLY
BEFORE INSTALLING OR OPERATING LIFT**

Part orders are subject to a \$50 minimum charge.



This manual was current at the time of printing. To obtain the latest, most updated version, please contact the Customer Service Department or go to our website: www.PrestoLifts.com and you will find a complete list of current Owner's Manuals to print.

Contents

INTRODUCTION.....	Page 4
RESPONSIBILITY OF OWNERS AND USERS	5
SAFETY ALERT SYMBOLS AND SIGNAL WORDS.....	6
SAFETY	7
INSTALLATION & OPERATING INSTRUCTIONS.....	8
Positioning the Lift.....	8
Hydraulic Connections.....	8
Electrical Connections.....	9
Testing	9
Completing Installation.....	9
MAINTENANCE.....	9
Hazards.....	9
Routine periodic maintenance.....	10
Maintenance for machines with high cycle pkg.....	10
TROUBLESHOOTING	11-12
ORDERING REPLACEMENT PARTS.....	13
WARRANTY.....	26

List of Figures

Single Acting Tilter

Fig. 1. Electrical connections for single phase AC	14
Fig. 2. Electrical connections for three phase AC.....	15
Fig. 3. Hydraulic schematic	16

Double Acting Tilter

Fig. 4. Electrical connections for single phase AC	17
Fig. 5. Electrical connections for three phase AC.....	18
Fig. 6. Hydraulic schematic	19

Uponder

Fig. 7. Electrical connections for single phase AC	20
Fig. 8. Electrical connections for three phase AC.....	21
Fig. 9. Hydraulic schematic	22

Lift / Tilt

Fig. 10. Electrical connections for single phase AC	23
Fig. 11. Electrical connections for three phase AC.....	24
Fig. 12. Hydraulic schematics.....	25

INTRODUCTION

This manual contains information to acquaint you with the safe and proper installation, use and upkeep of the machine. You should ensure that this manual is available to personnel working with the machine and require its use by these personnel.

In the interest of safety, please read this entire manual carefully and be familiar with its contents before you install, use or service the machine. If you have any questions about any instructions in this manual, please contact your dealer or Presto Lifts.

Presto Lifts's product warranty is provided in the back of this manual. This instruction manual is not intended to be or to create any other warranty, expressed or implied, including any implied warranty of merchantability or fitness for a particular purpose, all of which are hereby expressly excluded.

As set forth more specifically in the product warranty, Presto Lifts's obligation under that warranty is limited to the repair or replacement of defective components, which shall be the buyer's sole remedy. Presto Lifts shall not be liable for any loss, injury or damage to persons or property, nor for any direct, indirect or consequential damage of any kind resulting from the lift table.

Responsibility of Owners and Users

Inspection and Maintenance

The device shall be inspected and maintained in proper working order in accordance with Presto Lifts's owner's manual.

Removal from Service

Any device not in safe operating condition such as, but not limited to, excessive leakage, missing rollers, pins, or fasteners, any bent or cracked structural members, cut or frayed electric, hydraulic, or pneumatic lines, damaged or malfunctioning controls or safety devices, etc. shall be removed from service until it is repaired to the original manufacturer's standards.

Deflection

It is the responsibility of the user/purchaser to advise the manufacturer where deflection may be critical to the application.

Repairs

All repairs shall be made by qualified personnel in conformance with Presto Lifts's instructions.

Operators

Only trained personnel and authorized personnel shall be permitted to operate the lift.

Before Operation

Before using the device, the operator shall have:

- Read and/or had explained, and understood, the manufacturer's operating instructions and safety rules.
- Inspected the device for proper operation and condition. Any suspect item shall be carefully examined and a determination made by a qualified person as to whether it constitutes a hazard. All items not in conformance with Presto Lifts's specification shall be corrected before further use of the equipment.

During Operation

The device shall only be used in accordance with this owner's manual.

- Do not overload.
- Ensure that all safety devices are operational and in place.

Modifications or Alterations

Modifications or alterations to any Presto Lifts industrial positioning equipment shall be made only with written permission from Presto Lifts.

SAFETY ALERT SYMBOLS AND SIGNAL WORDS

The safety of all persons operating, maintaining, repairing, or in the vicinity of this equipment is of paramount concern. This is a powerful machine with moving parts, and is capable of causing personal injury if proper precautions are not taken. Therefore, throughout this manual, certain hazards have been identified which may occur in the use of the machine, and there are appropriate instructions or precautions which should be taken to avoid these hazards. In some cases, there are consequences which may occur if instructions or precautions are not followed. Below are the symbols and signal words along with their definitions referenced from ANSI Z535.4 - Product Safety Signs and Labels.

Safety Alert Symbols

These are the safety alert symbols.. They are used to alert you to potential physical injury hazards. Obey all safety messages that follow this symbol to avoid possible injury or death.



For use with DANGER signal word
(Red Background)



For use with WARNING signal word
(Orange Background)



For use with CAUTION signal word
(Yellow Background)

Signal Words

The meaning of different signal words as defined by ANSI Standard Z535.4 indicates the relative seriousness of the hazardous situation.



(Red Background)

DANGER indicates a hazardous situation which, if not avoided, will result in death or serious injury.



(Orange Background)

WARNING indicates a hazardous situation which, if not avoided, could result in death or serious injury.



(Yellow Background)

CAUTION, used with the safety alert symbol, indicates a hazardous situation which, if not avoided, could result in minor or moderate injury.



(Blue Background)

NOTICE is used to address practices not related to personal injury.



(Green Background)

SAFETY INSTRUCTIONS (or equivalent) signs indicate safety-related instructions or procedures.

SAFETY

The safety of all persons operating, maintaining, repairing or in the vicinity of the machine is of paramount concern to Presto Lifts. This is a powerful machine with moving parts and is capable of causing personal injury if proper precautions are not taken. Therefore, throughout this manual, Presto Lifts has identified certain hazards that may occur in the use of this machine and provided appropriate instruction or precautions that should be taken to avoid these hazards. In some cases, Presto Lifts has also pointed out the consequences that may occur if Presto Lifts' instructions or precautions are not followed. Presto Lifts uses the following system of identifying the severity of the hazards associated with its products:

SAFETY CONSIDERATIONS

Presto Lifts Upender/tilt tables are designed and manufactured to meet the safety requirements of the *ANSI Standard MH29.2-2000, Industrial Tilters*.

SIGNAL WORD

The word or words that designates a degree or level of hazard seriousness. The signal words for product safety signs are “**DANGER, WARNING and CAUTION.**”



Immediate hazard which will result in severe personal injury or death.



Hazardous or unsafe practice which could result in severe personal injury or death.



Hazardous or unsafe practice that could result in minor personal injury or property damage.

Please read and follow the instructions in this manual, including all safety instructions and precautions carefully and completely.

⚠️WARNING

This power unit contains a hydraulic pump that is capable of developing excessive pressure. A pressure relief valve is used to set the pressure at a desired level. Tampering with, adjusting, modifying, or removing the relief valve is extremely dangerous and not recommended. Only a trained hydraulics technician, using a calibrated hydraulic pressure gauge to assure the proper pressure setting is achieved, should make adjustments to the relief valve.

If equipped, Presto Lifts Upender/tilt tables have a safety orifice speed control. This regulates the down speed. Should a hydraulic line rupture, the unit will descent at about the normal rate.

All Presto Lifts Upender/tilt tables are fitted (optional) with industrial, high quality over-center valves to provide smooth movement even when loads are abruptly introduced to the platform.

All Presto Lifts models are designed with a generous safety factor of three to one.

INSTALLATION & OPERATING INSTRUCTIONS

1. Before you start to install the machine, check for local codes and ordinances, which may apply in your area. It is your responsibility to obtain any necessary permits.

2. Read all of these installation instructions carefully. Be sure to read and understand all of the warnings!

3. If the hydraulic power unit will be mounted away from the machine, the power unit should be sheltered from the weather. It should be mounted within 30 feet of the machine to minimize the pressure drop in the hydraulic system. Be sure the hydraulic lines have been installed properly.

⚠️WARNING

Protect the hydraulic power unit from rain or moisture. If the electrical parts in the power unit get wet, workers may be hurt by electrical shock or the electrical parts may fail.

⚠️WARNING

The electric motor in the Upender/Tilter can create sparks. Do not install the hydraulic power unit in an area where flammable gases may be present.

Positioning the unit

1. Remove the shipping material and unskid the machine.

2. Move the machine into position, supporting the base frame of the machine. Mount the machine on a firm level surface, if necessary, insert shims to level the machine. Install lag bolts to hold the machine in place. Make sure to shim or grout under the base frame to prevent any flexing.

⚠️WARNING

If the machine is mounted on an unstable surface, it may tip over when in use. You may be hurt, and the machine or the load may be damaged.

Hydraulic Connections

1. Mount the hydraulic power unit in a desired place.

2. Connect the hydraulic line between the hydraulic power unit and the machine.

⚠️WARNING

Be sure that the hydraulic line will not be pinched by the machine during operation. If you allow the line to be pinched, the machine may not work properly. A hose may break, the machine may drop suddenly, and someone may be hurt.

⚠ CAUTION

It is very important to keep the hydraulic oil free from dirt, dust, metal chips, water and other contamination. Most of the problems with hydraulic systems are caused by contamination of the oil.

Electrical Connections

⚠ DANGER

The machine may use a power supply of up to 460 Volt AC. This voltage can kill you. Do not work with the electrical parts unless you are a qualified electrician.

1. A machine with a 115 Volt power unit needs to have a designated outlet and breaker of at least 20 AMP.

2. A machine designed for three phase AC, you must be sure the pump and motor is turning in the right direction. The machine should start to move quickly when you press the up or down button. If the machine does not move in 2 or 3 seconds, do not try to operate the machine! Exchange any two of the three phase leads. If this does not correct the problem, please contact Presto Lifts Customer Service Department.

Testing

1. Check the level of the hydraulic oil. With the machine in the lowered position the tank should be full, add oil if necessary.

2. Clear the area around the machine. Remove any loose wires, lumber or other material that might get in the way of the machine as it is in use.

3. Operate the machine through its full range of travel. The machine should travel smoothly with a quiet humming sound and lower smoothly and quietly. Fully cycle several times checking the operation.

⚠ WARNING

As the machine moves, “pinch points” are created. If you are standing too close to the machine when it is moving, your arm or leg may be caught in the moving parts and you may be hurt. Stay away from the pinch points when the lift is moving.

Completing Installation

1. Test the machine with the rated load. If the machine does not move and you hear a loud squealing noise, this means the pressure relief valve is operating. Contact Presto Lifts for instructions.

⚠ WARNING

Do not continue to use the machine if this happens. The pump will overheat very quickly and may be permanently damaged. Do not try to adjust the relief valve. You may overwork the machine. This can cause the machine to fail suddenly and you may be hurt.

MAINTENANCE

All service should be done by qualified personnel. Qualified personnel should be able to read and understand wiring and hydraulic diagrams. They should be able to troubleshoot live electrical circuits safely and in accordance with accepted practice.

FOR SAFETY’S SAKE, if in doubt, please contact your dealer or Presto Lifts Customer Service Department at 800-343-9322.

Before servicing the lift, read and understand this entire section and the section entitled “Operating Instructions.”

Hazards

There are several hazards you should be aware of as you service the lift:

Before working on the machine be sure to insert any and all maintenance devices.

⚠ DANGER

The machine may use a power supply of up to 575 Volts. This voltage can kill you. Do not work with the electrical parts unless you are a qualified electrician.

⚠ WARNING

As the machine moves, “pinch points” are created. Keep hands, feet and loose clothing away from these pinch points. If your arms, hands or your clothing is caught, you may be hurt.

⚠️WARNING

Do not change the setting on the relief valve in the pump. If you do, this may damage the machine and you may be hurt. The relief valve has been included for the protection of all of the workers who use the machine.

⚠️WARNING

Before working on the machine, be sure to release pressure on the hydraulic system.

⚠️CAUTION

The warning labels on the machine are there for the safety of the operator. If the labels are worn or missing, replace them.

Routine periodic maintenance

Every month:

1. Visually inspect the center pivot bushing and pins, cylinder clevis pins and bushings. Apply oil or WD-40 to all parts listed above.

Note: Although the bearings are “lifetime lubricated” their performance may be extended by additional periodic lubrication (WD-40).

2. Check the level and appearance of the hydraulic fluid. With the machine in the lowered position, there should be about $\frac{3}{4}$ of an inch of air space in the tank or with the machine fully elevated, there should be about $\frac{3}{4}$ of an inch of oil left in the tank. Use a dipstick to check the oil level and add oil if necessary. Change the oil if it has darkened from its original color, turned milky white or if it feels gritty or sticky.

3. Every month inspect and check limit switch fasteners to ensure they are tight.

⚠️CAUTION

It is important to use hydraulic fluid with the correct grade and properties. The hydraulic fluid the machine is provided with is Citgo AW-32.

Every six months:

1. Check all of the hydraulic fittings and hoses and repair the connections if necessary. Occasionally, the fittings can be worked loose by vibrations from the machine.

⚠️WARNING

If a hydraulic fitting becomes loose or if a hydraulic hose breaks, the hydraulic fluid will escape from the system under pressure. If the machine is elevated when this happens, it will drop very quickly. Someone may be hurt or the product or the machine may be damaged.

2. Remove the down valve from the pump and the solenoid. Disassemble and clean using compressed air. Reassemble and reinstall.

3. Drain all of the hydraulic fluid from the tank and cylinders and discard it.

4. Remove the suction filter from the tank. Clean by using compressed air. Reinstall and tighten all fittings.

5. Refill the tank with new hydraulic fluid.

Maintenance for machines with high cycle package:

1. Every 10,000 cycles or every month, visually inspect the entire lift. Replace all worn or broken parts. Change the hydraulic fluid. Lubricate all pivot points and clean the roller tracks.

2. Every 30,000 cycles or every three months, visually inspect the entire lift. Check the motor starter contacts and limit switch. Clean and lubricate all pivot points. Replace all worn or broken parts. Replace all hydraulic filters and change the hydraulic fluid.

TROUBLESHOOTING

All service should be done by qualified personnel. Qualified personnel should be able to read and understand wiring and hydraulic diagrams. They should be able to troubleshoot live electrical circuits safely and in accordance with accepted practice. FOR SAFETY'S SAKE, if in doubt, please contact your dealer or Presto Lifts Customer Service Department at 800-343-9322.

Before servicing the lift, read and understand this entire section and the section entitled "Operating Instructions." Before working on the machine, be sure to insert any and all maintenance devices. Failure to do so may result in damage to the machine and severe personal injury!

CAUTION

Do not continue to hold the "up" button for more than 2 or 3 seconds. You may damage the pump.

WARNING

Do not change the setting on the relief valve in the pump. If you do, this may damage the machine and you may be hurt. The relief valve has been included for the protection of all of the workers who use the machine.

WARNING

Do not disconnect the up limit switch. Instead, loosen the adjusting screw and change the position of the arm. If you do disconnect the switch, when the lift platform moves up, it may not stop at the correct spot, the machine may be damaged and people may be hurt.

CAUTION

If cavitation is allowed to continue, the pump will be damaged and will need to be replaced. If the steps listed above do not solve the problem, please call the Customer Service Department at Presto Lifts at 800-343-9322.

Problem	Possible Cause	Check This
Machine will not fully tilt.	Weight of load too heavy.	Check the actual weight of the load
	Motor not running.	Check the main disconnect switch, fuses, and wiring to the motor. A 20 amp, designated braker must be supplied for 110V.
	Hydraulic oil level low.	Check Oil Level
	Machine has reached its limit switch.	Limit switch may need to be adjusted.
	Motor may be “single phasing”	If motor hums but does not turn, check motor wiring and line fuses.
	Motor voltage too low.	Supply voltage should be +/- 10% of the rating at the motor terminals.
	Tank vent plugged.	If supplied, remove solid plug from tank, install vent plug.
	Suction filter clogged.	Clean suction filter as described in periodic maintenance.
	Vacuum leak in suction line.	Check all fittings in suction line.
	Down-valve may be energized.	Check wiring to down-valve, and solenoid in the valve.
	Missing coupling	Check to ensure the coupling has been installed between the pump and motor.
The machine fails to hold a load.	Down-valve may be leaking.	Remove down-valve and inspect for debris which may be preventing it from closing.
	Down-valve may be energized.	Check the solenoid in the valve with a volt meter.
	Cylinder may be leaking.	Check for oil in cylinder in the vent line.
Machine will not lower	Down-valve may be de-energized.	Check the solenoid in the valve with a volt meter.
	Flow control needs adjustment	Adjust flow control as needed.
Machine raises too slowly.	Voltage may be low.	Check voltage at motor to ensure proper voltage is being supplied.
	Foreign material clogging suction filter, breather cap or pressure line.	Remove necessary components and clean.
	Pump may be overheating due to insufficient oil.	Check oil level and oil viscosity.
Machine lowers too slow.	Down-valve maybe not be fully open or stuck closed.	Remove down-valve and clean.
	Flow control needs adjustment	Adjust flow control as needed.

Ordering Replacement Parts

Presto Lifts has carefully chosen the components in your unit to be the best available for the purpose. Replacement parts should be identical to the original equipment. Presto Lifts will not be responsible for equipment failures resulting from the use of incorrect replacement parts or from unauthorized modifications to the unit.

Presto Lifts can supply all replacement parts for your lift. With your order, please include the model number and the serial number of the unit. You can find these numbers on the name plate. This plate is located within the cabinet, or the angle iron cylinder cross support.

To order replacement parts, please call the Presto Parts Department. Parts are shipped subject to the following terms:

- FOB factory
- Returns only with the approval of our Parts Department.
- Credit cards preferred (except parts covered by warranty).
- Freight collect for truck (except parts covered by warranty).
- Freight - prepaid and invoice for small parcel shipments (except parts covered by warranty).
- The warranty for repair parts is 30 days from date of shipment.

Parts replaced under warranty are on a “charge-credit” basis. We will invoice you when we ship the replacement part, then credit you when you return the worn or damaged part, and we verify that it is covered by our warranty. Labor is not covered under warranty for Parts orders.

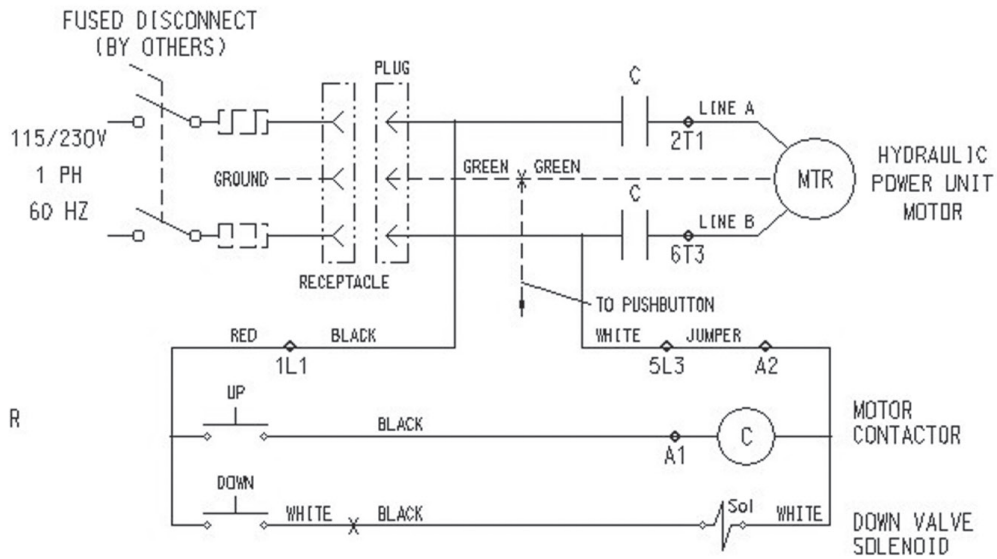
Presto Lifts Parts Department
50 Commerce Way, Norton, MA 02766

Telephone: 800-343-9322

FAX: 888-788-6496

Email: Service@PrestoLifts.com

www.PrestoLifts.com

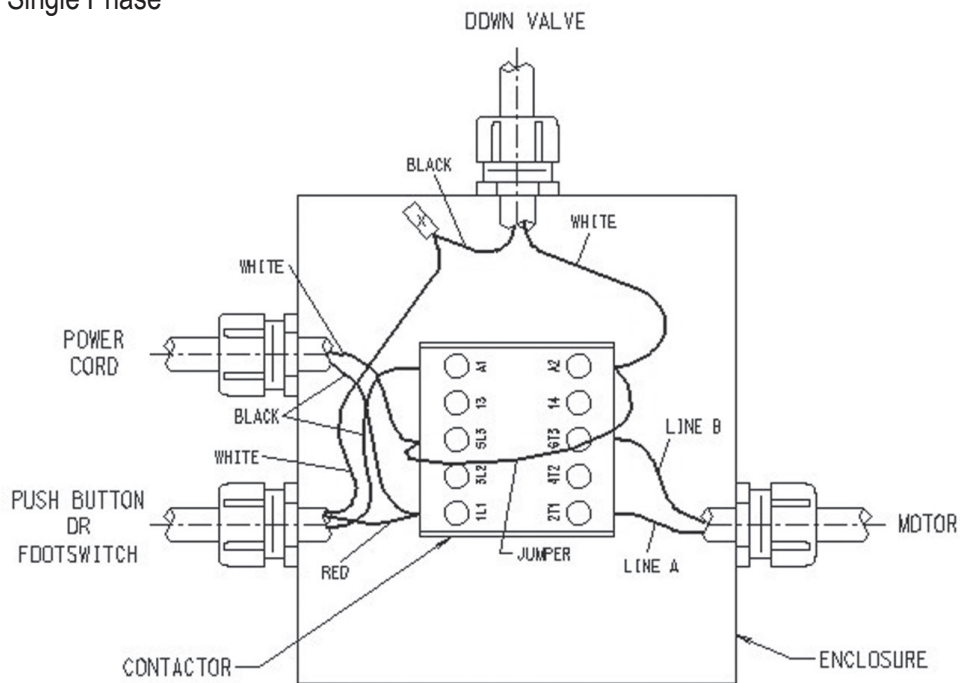


Single Acting Tilter

◇ - INDICATES TERMINAL ON THE CONTACTOR

X - INDICATES WIRE CONNECTION IN THE ENCLOSURE

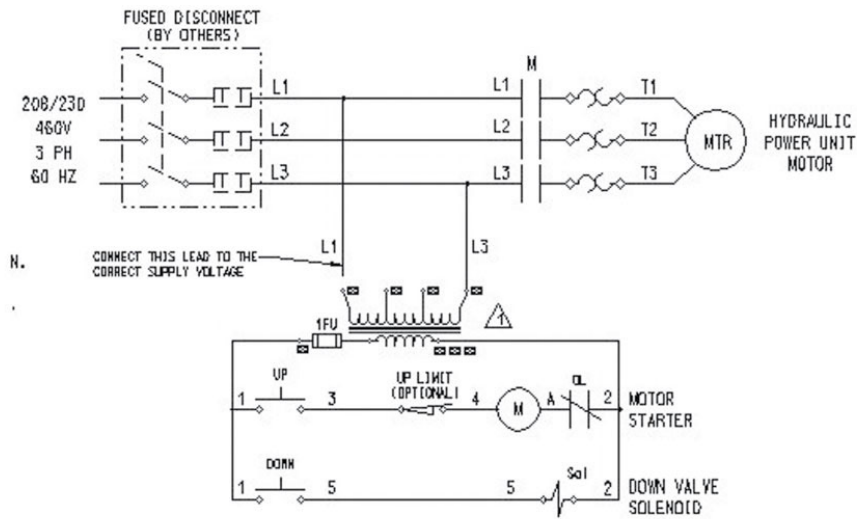
Figure 1: Electrical Connections for Single Phase AC



NOTE:

- ENTRY LOCATIONS MAY DIFFER FROM THOSE SHOWN.
- GROUND CONNECTIONS, ALTHOUGH NOT SHOWN, ARE REQUIRED.

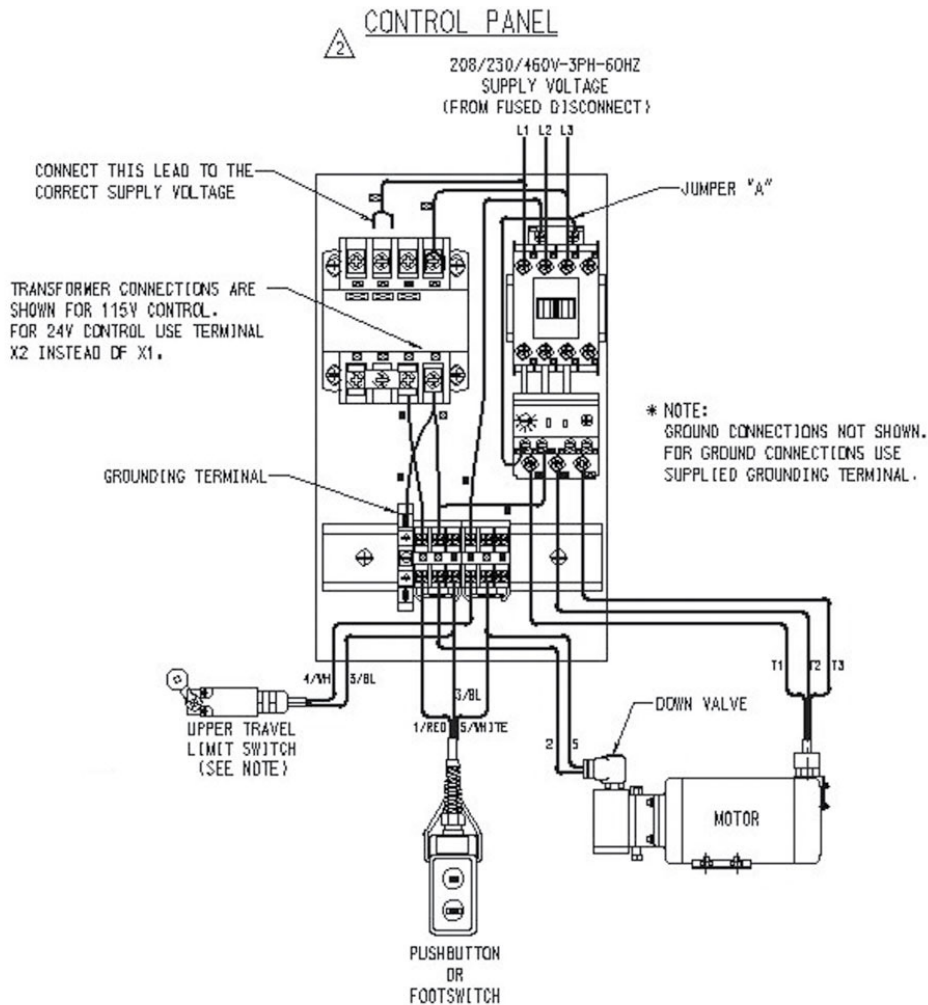
WIRING DIAGRAM



Single Acting Tilter

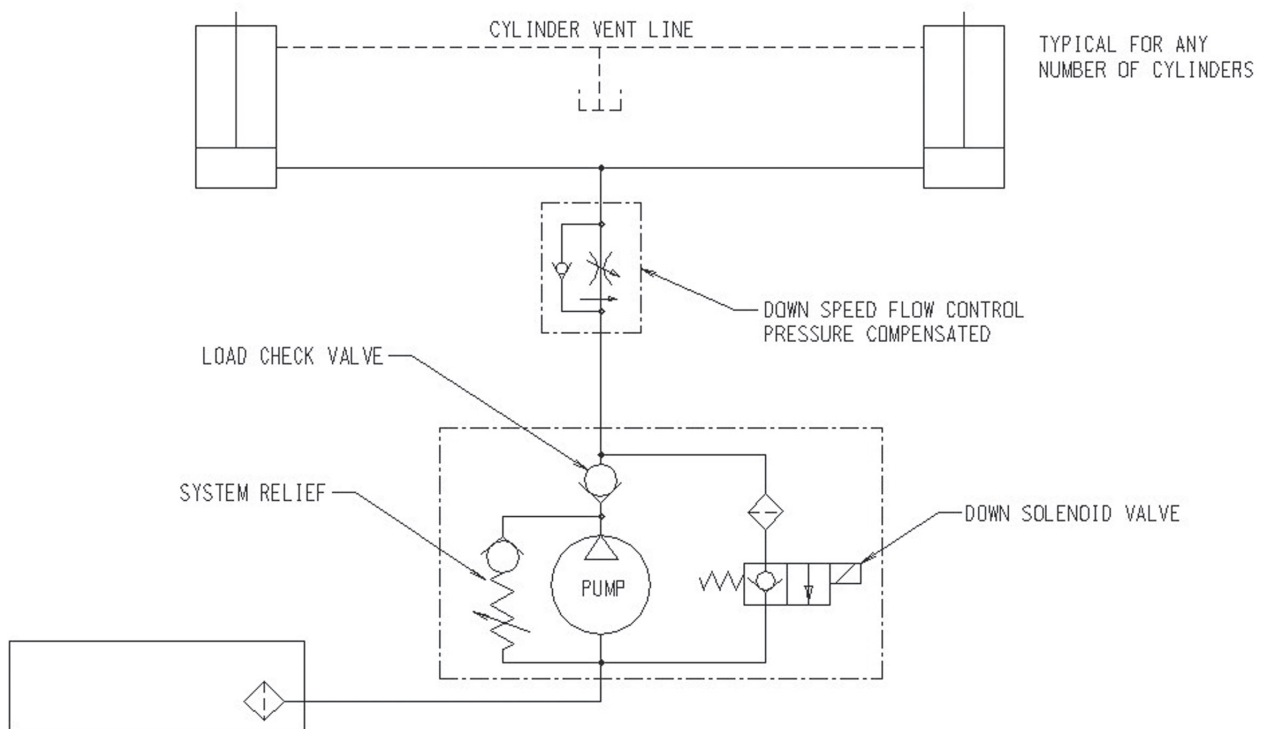
Figure 2: Electrical Connections for Three Phase AC

NOTE: UPPER TRAVEL LIMIT SWITCH IS OPTIONAL. IF LIMIT SWITCH IS ABSENT, MOVE WIRE 4 IN PANEL FROM TERMINAL 4 TO TERMINAL 3 AND RENUMBER AS WIRE 3.



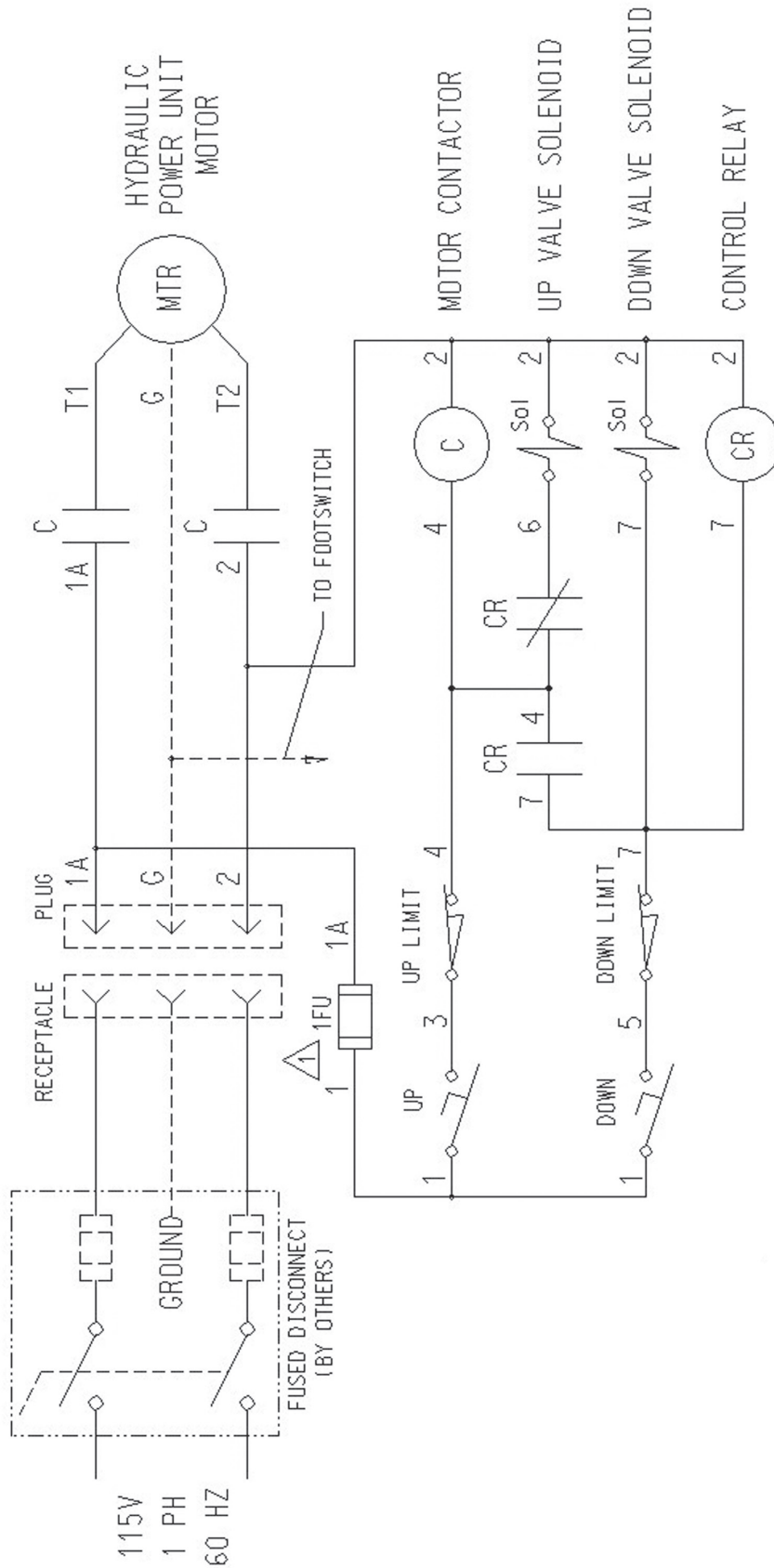
Single Acting Tilter

Figure 3: Hydraulic Schematic



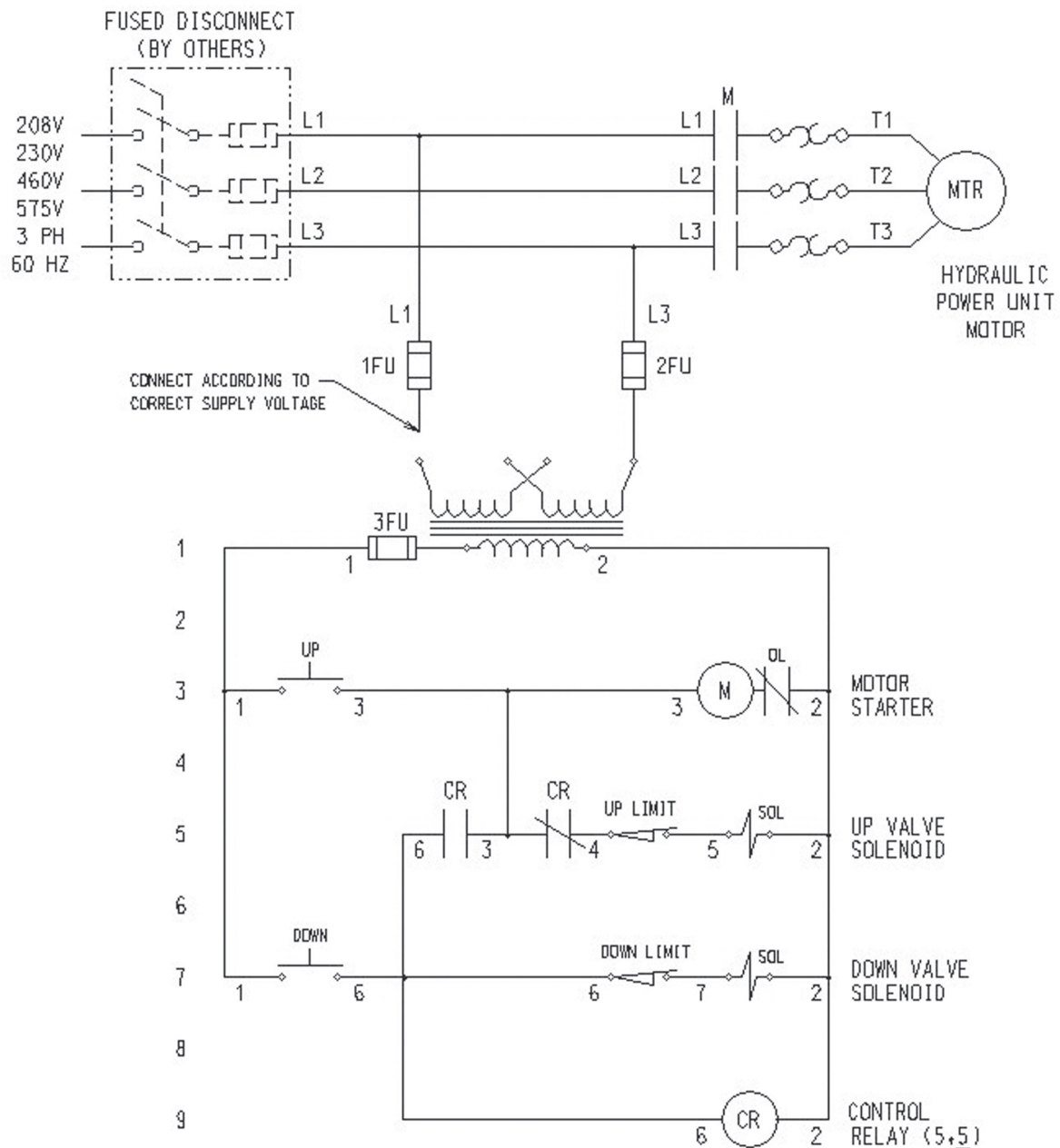
Double Acting Tilter

Figure 4: Electrical Connections for Single Phase AC



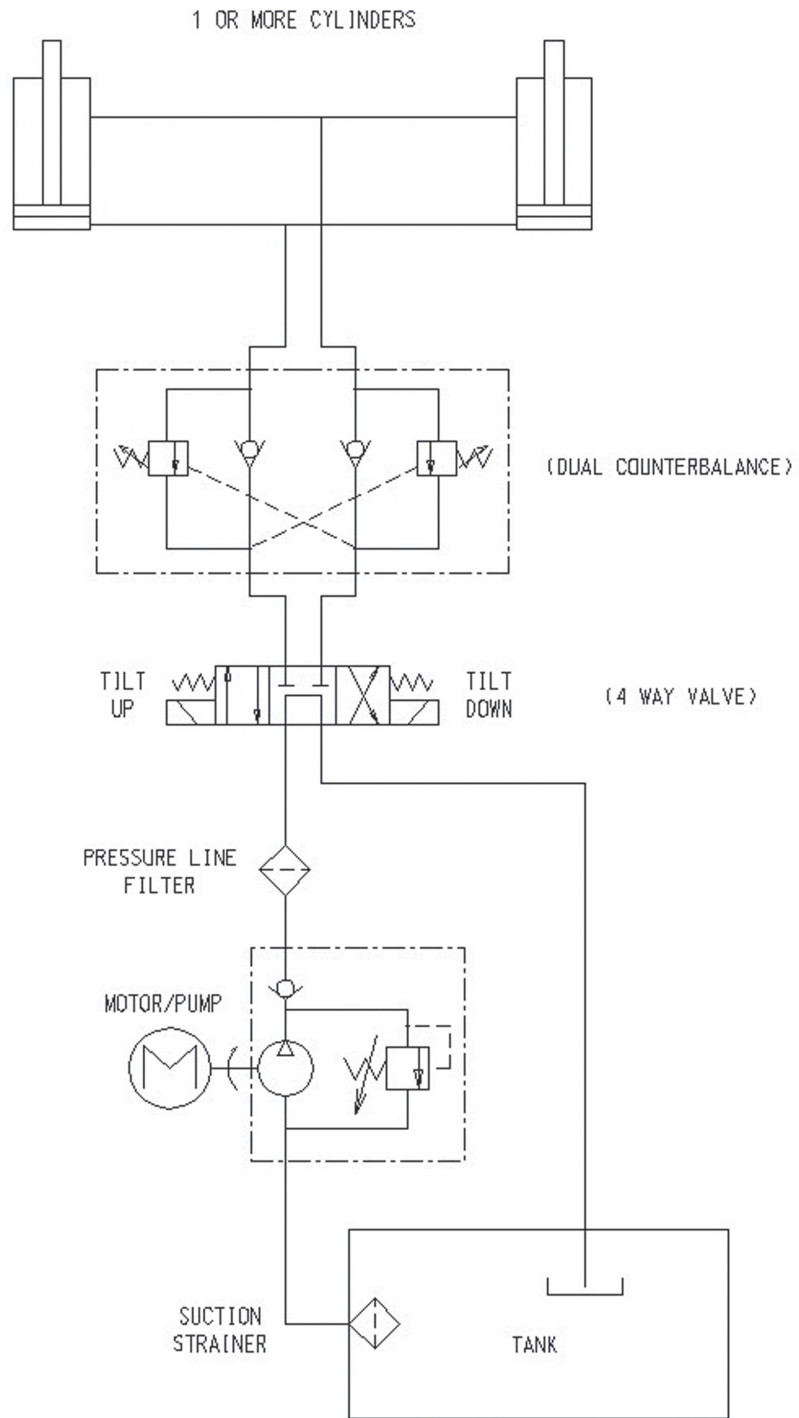
Double Acting Tilter

Figure 5: Electrical Connections for Three Phase AC



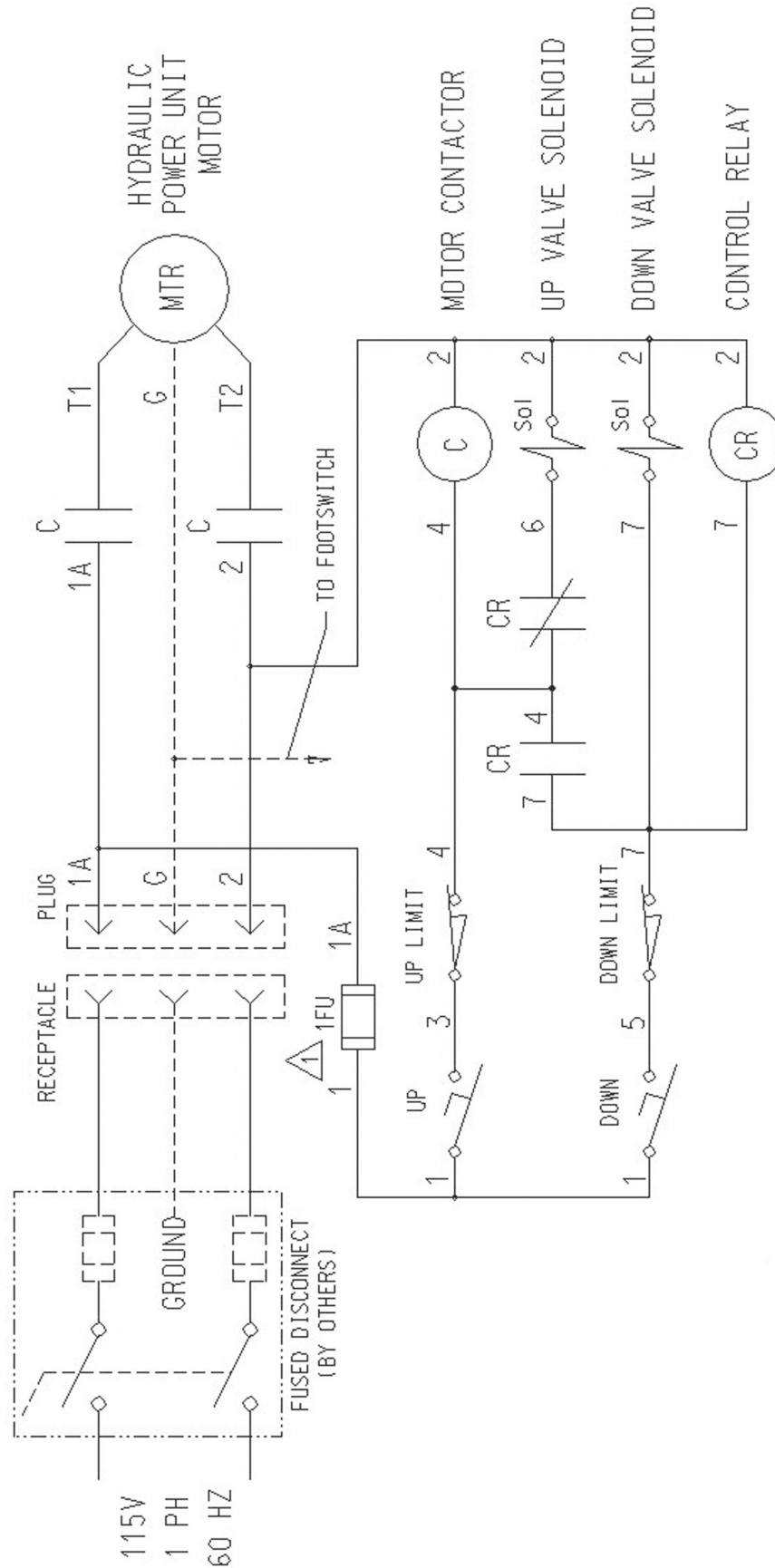
Double Acting Tilter

Figure 6: Hydraulic Schematic



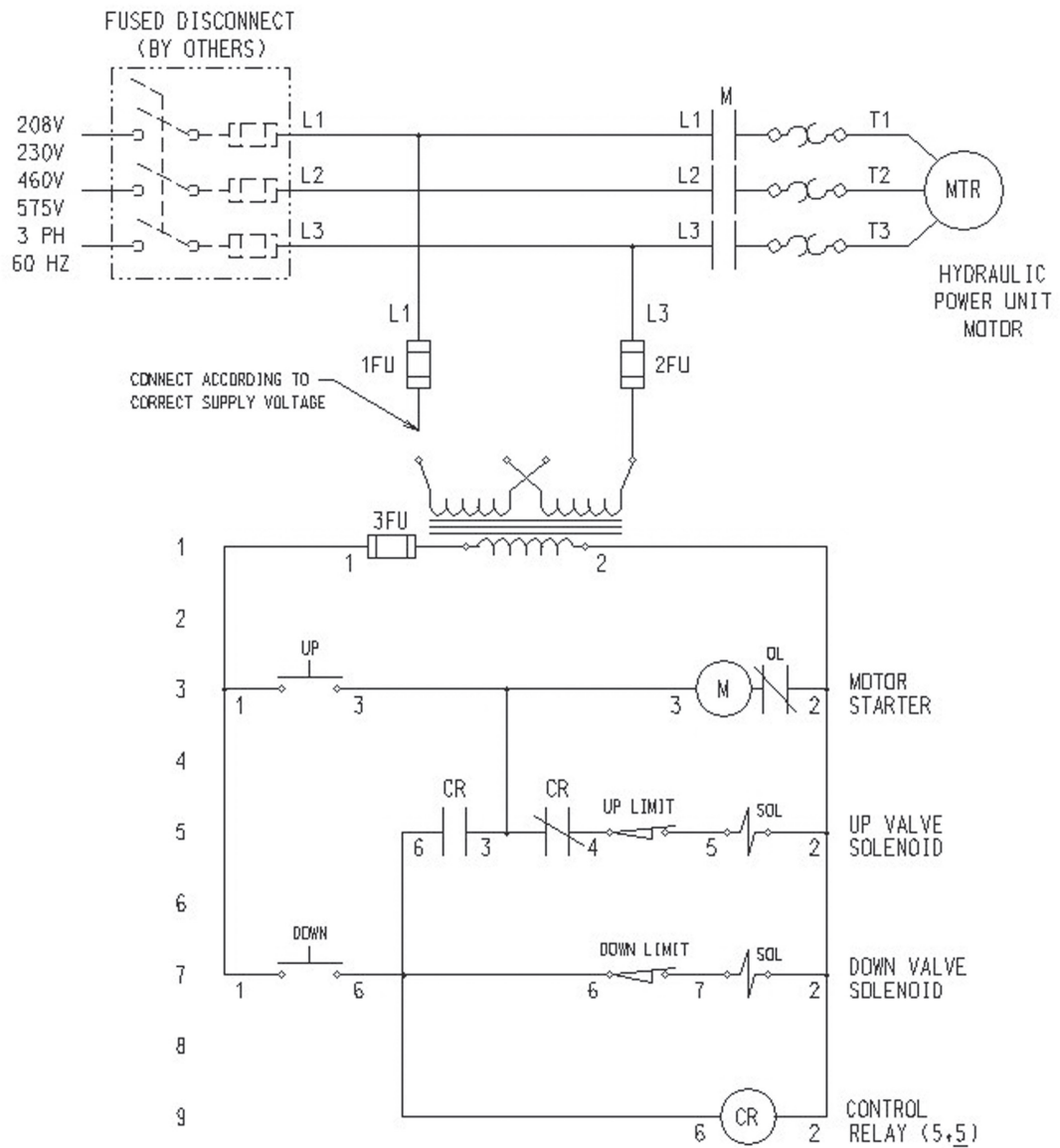
Upender

Figure 7:
Electrical Connections
for Single Phase AC



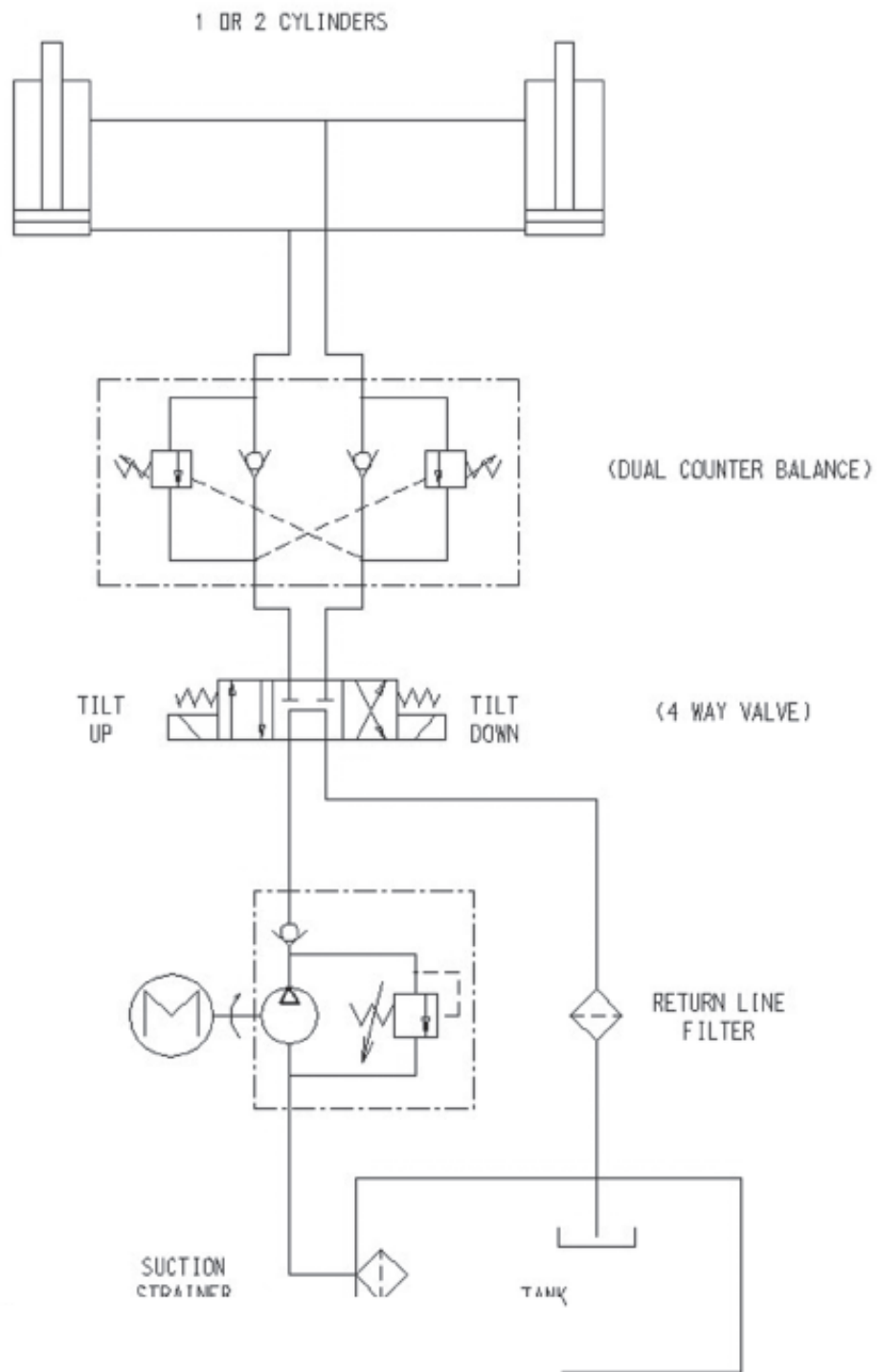
Upender

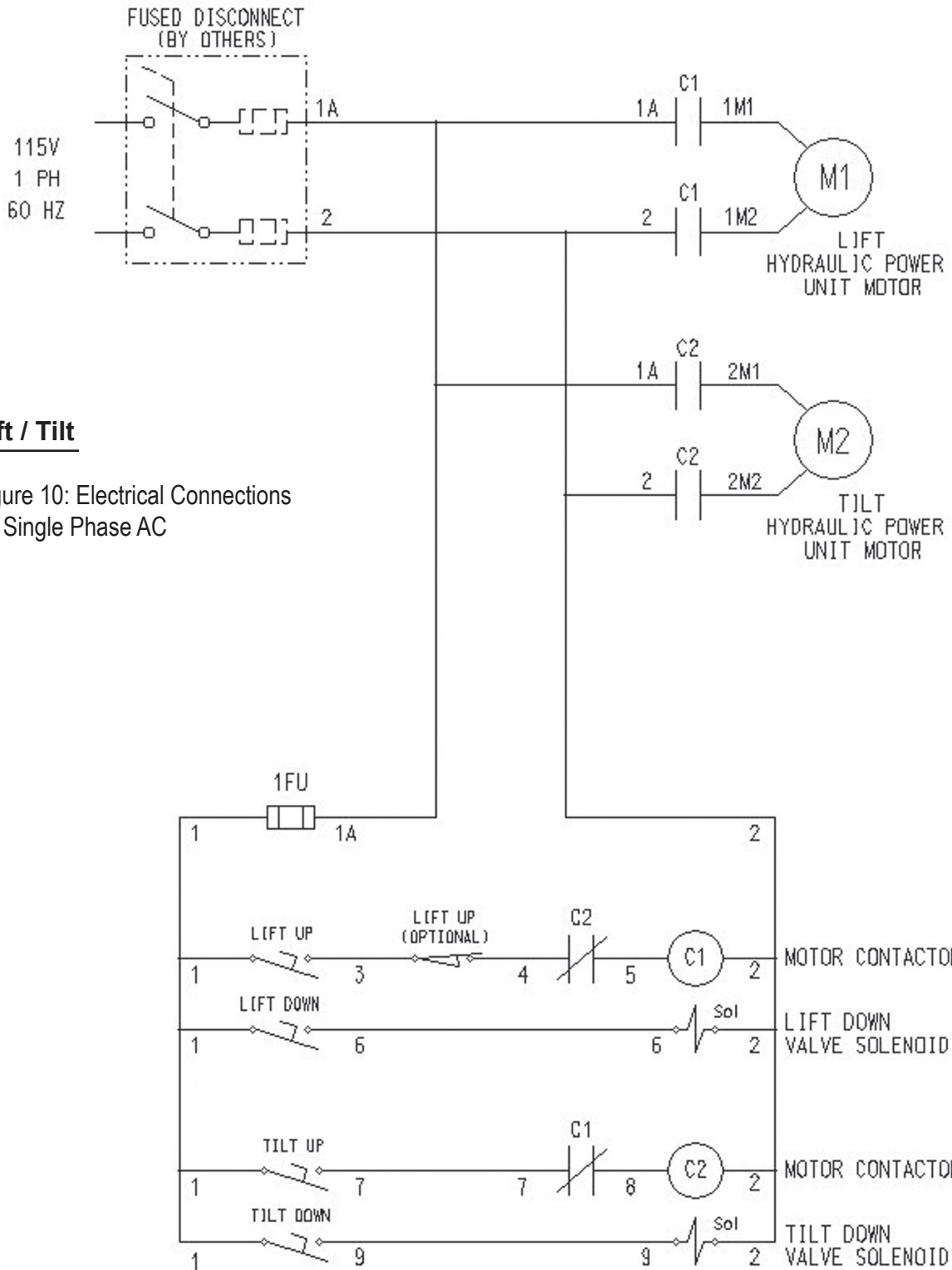
Figure 8: Electrical Connections for Three Phase AC



Upender

Figure 9: Hydraulic Schematic





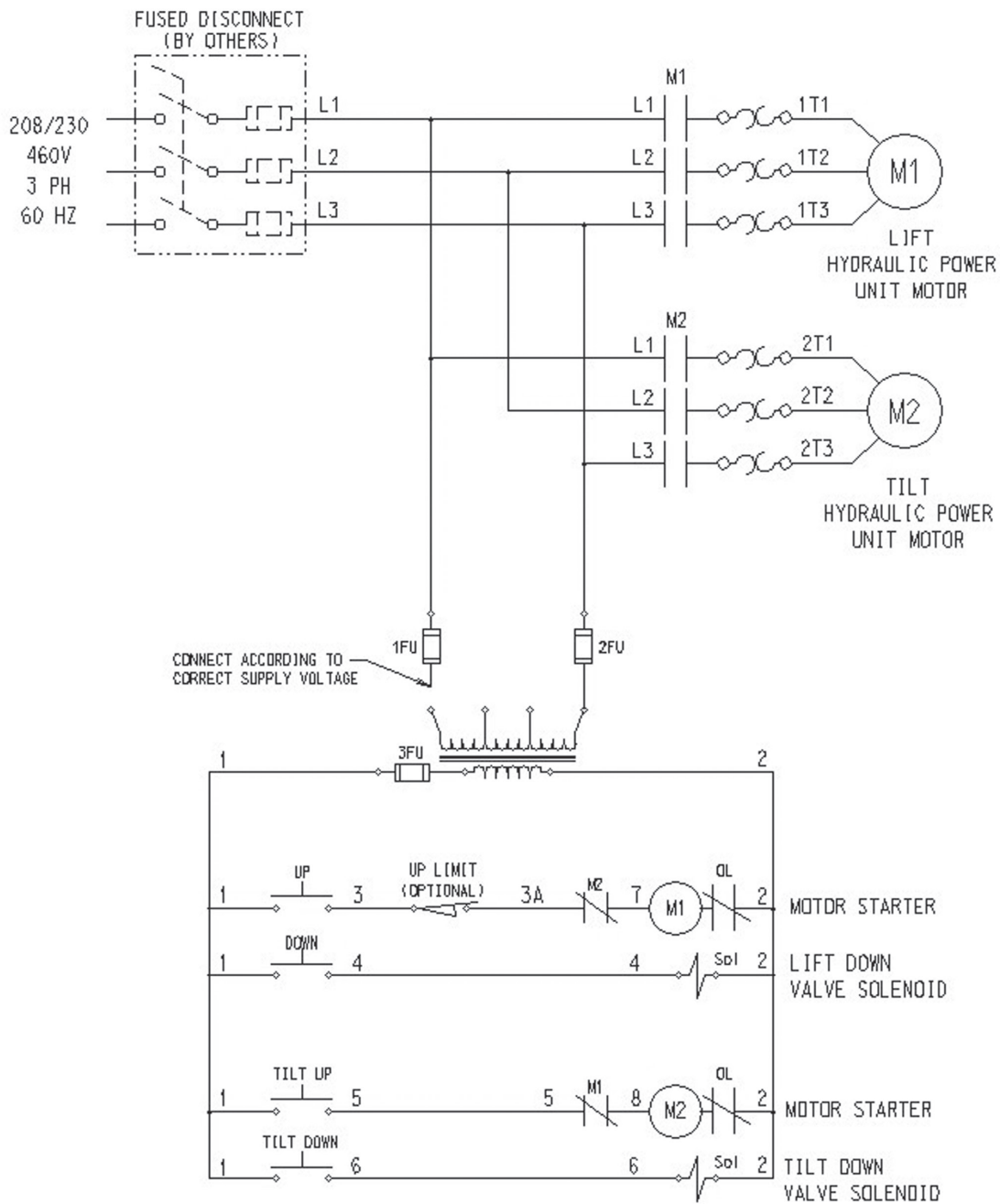
Lift / Tilt

Figure 10: Electrical Connections for Single Phase AC

SEE B-3057261 FOR LIFT/TILT WITH LIFT UP AND TILT UP LIMIT

Lift / Tilt

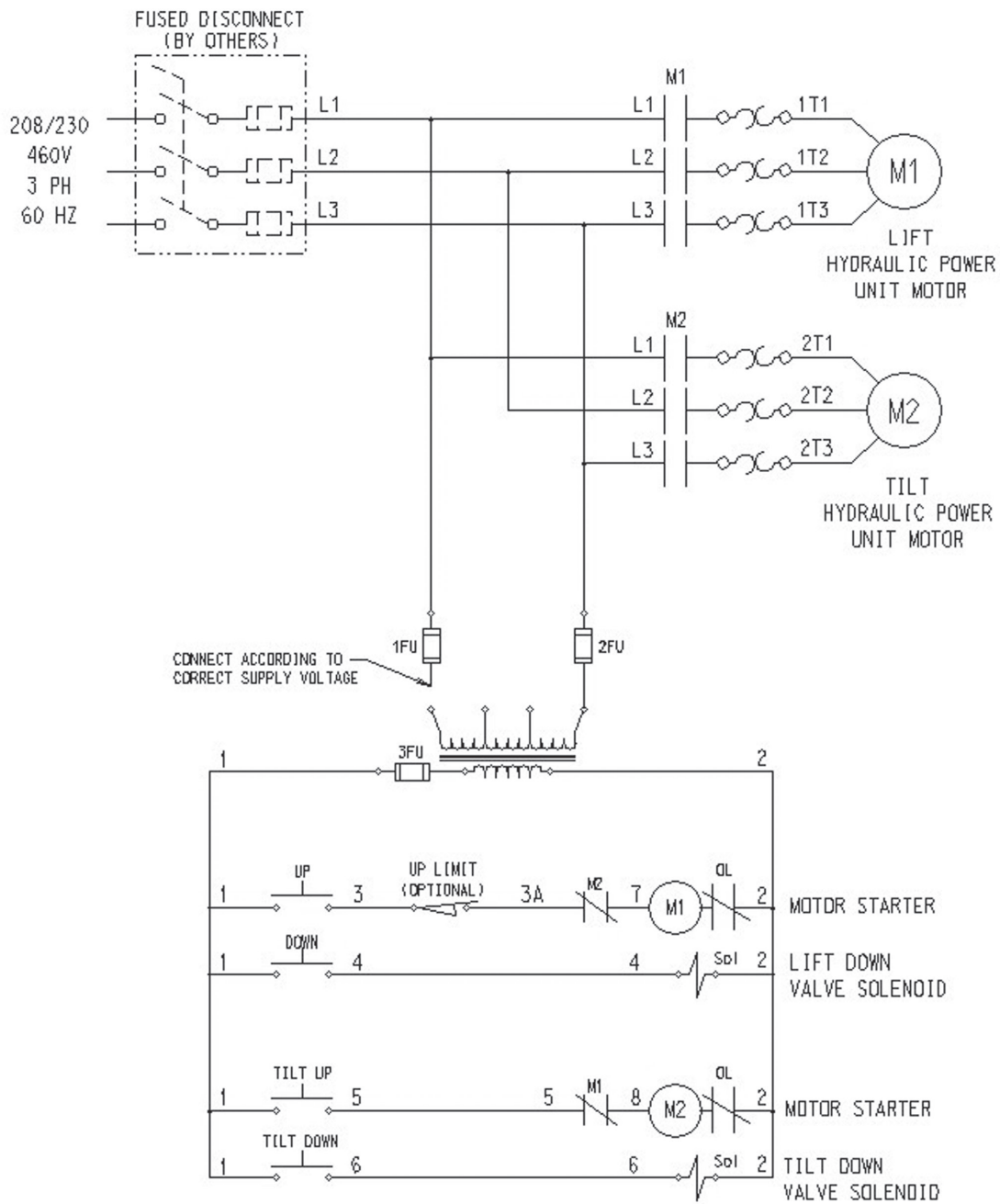
Figure 11: Electrical Connections for Three Phase AC



NOTE:
UPPER TRAVEL LIMITSWITCH IS OPTIONAL.
IF UP LIMIT IS ABSENT, CONNECT WIRE 3
DIRECTLY TO NC CONTACT ON MOTORSTARTER.

Lift / Tilt

Figure 12: Hydraulic Schematics



NOTE:
UPPER TRAVEL LIMITSWITCH IS OPTIONAL.
IF UP LIMIT IS ABSENT, CONNECT WIRE 3
DIRECTLY TO NC CONTACT ON MOTORSTARTER.

Presto Lifts Limited Warranty Policy

Presto Lifts warrants this product against defects in the welded structural frame and, including the scissor legs from sub-standard material and workmanship for a period of five years from the date of invoice.

All other components have a limited warranty against defects in faulty material and workmanship for a two year period from the date of invoice date of invoice and 30 day limited warranty on labor. Please note that prior authorization from Presto Lifts is required on all warranty work.

There are no implied warranties of any kind, more specifically, there are no warranties of merchantability or fitness for any particular purpose. Presto Lifts' sole warranty shall be as set forth in this limited warranty.

Presto Lifts will elect to repair or replace a defective component without charge, if any components should become defective within the limited warranty period. Proof of purchase is required for warranty. The charge for shipping the defective component is the responsibility of the buyer and must be accompanied with an RMA number. The shipping charge to return the component to the buyer is the responsibility of Presto Lifts, Inc.

This limited warranty does not cover labor expense for removal or reinstallation of components after thirty days. This limited warranty shall not cover, among other things: damages resulting from foreign matter or water, failure to provide reasonable and necessary maintenance or failure to follow operating instructions. The limited warranty is not valid for damage resulting from negligence, accident, unreasonable use, abuse or misuse, exceeding data plate capacities or altering the product without Presto Lifts authorization.

Presto Lifts expressly disclaims and excludes any liability for consequential, incidental, indirect or punitive damages or financial loss to people or property resulting from any breach of warranty or the operation or failure of this product.

Presto Lifts makes no representation that this product complies with local, state, or federal safety/product standards codes. Should this product fail to comply in any way with those codes, it shall not be considered a defect of materials or workmanship. Presto Lifts shall not be held liable for any damages resulting from noncompliance. It is the dealer's responsibility to exercise this limited warranty. This limited warranty is provided to the original purchaser (defined as the original end user) and is nontransferable. This constitutes the complete and final agreement involving Presto Lifts and limited warranty obligations for products.



MANY NEEDS REQUIRE MANY OPTIONS...

Presto LIFTS



LET PRESTO MEET THOSE NEEDS!

Call Presto Sales
for stock or
customized lift inquiries:
800-343-9322

Email: sales@prestolifts.com

