

Presto LIFTS **ECO A**

Mechanical Post Lift Table Owner's Manual



Model: _____
Serial Number: _____
Date placed in service: _____

Presto-ECO A Lifts
50 Commerce Way, Norton, MA 02766
Phone: 800.343.9322
Fax: 888.788.6496
www.PrestoLifts.com
Email: service@prestolifts.com

Contents

1	Introduction.....	4
1.1	Specifications.....	4
1.2	Responsibilities of Owner and Users.....	4
1.3	Responsibilities of Operators.....	5
2	Safety.....	7
2.1	Safety Alert Symbols	7
2.2	Signal Words	8
3	Labeling.....	8
3.1	Label Part Numbers & Quantity	8
3.2	Label Location Diagram	9
4	Operation.....	10
5	Maintenance	10
5.1	Daily Maintenance.....	10
5.2	Monthly Maintenance.....	10
6	Procedures.....	11
6.1	Caster & Floor Lock Remounting.....	11
7	Troubleshooting	11
8	Replacement Parts	12
9	Component Identification	13
10	Warranty & Contact Information	15



**This label (part # 10095524)
is required by California law.
For more information visit
www.P65Warnings.ca.gov.**

1. Introduction

NOTICE

This lift is shipped with the casters and floor lock mounted to the top of the base platform. Before using the lift, the floor lock and casters need to be remounted to the bottom of the base platform. See Procedures section for instructions.

1.1 Specifications

Model Number	Load Capacity	Raised Height	Lowered Height	Platform Size
P2436	2000 lbs.	42 in.	24 in.	24 in. x 36 in.
P2448	2000 lbs.	42 in.	24 in.	24 in. x 48 in.
P3036	2000 lbs.	42 in.	24 in.	30 in. x 36 in.
P3060	2000 lbs.	42 in.	24 in.	30 in. x 60 in.
P1828VAR	1000 lbs.	42 in.	24 in.	18 in. x 28 in.

1.2 Responsibilities of Owner and Users

Basic Principles - Owners/users shall apply sound principles of safety, training, inspection, maintenance, and expected operating environment. It shall be the responsibility of the owner/user to advise the manufacturer where deflection may be critical to the application.

Manuals - Owners/users shall keep and maintain a copy of the operating and maintenance manual(s) and ensure its availability to operating and maintenance personnel.

Inspection and Maintenance - It shall be the responsibility of the users to inspect and maintain the machine as required to ensure proper operation. The frequency of inspection and maintenance shall be based upon the manufacturer's recommendations and be compatible with operating conditions and the severity of the operating environment. Machinery that is not in proper operating condition shall be immediately removed from service until repaired. Maintenance and repairs shall be made by a qualified person and the repairs shall be in conformance with the manufacturer's recommendations.

Maintenance Safety Precautions - Before adjustments and repairs are started on the machine, the following precautions shall be taken as applicable:

1. Remove the load from the platform
2. Lower platform to the full down position, if possible or secure by maintenance device and/or blocking as described by the manufacturer to prevent unintended platform movement.
3. Follow precautions and directions as specified by the manufacturer.

Replacement Parts - When parts or components are replaced, they shall be replaced with parts or components approved by the original manufacturer.

Maintenance Training - The user shall ensure only qualified personnel inspect and maintain the machine in accordance with the manufacturer's recommendations.

Operator Training - An owner/user, who directs or authorizes an individual to operate the machine shall ensure that the individual has been:

1. Trained in accordance with the manufacturer's operating manual.
2. Made aware of the responsibilities of operators as outlined in this manual.
3. Retrained, if necessary, based on the owners/user's observation and evaluation of the operator.

Modifications - Modifications and additions shall not be performed without the manufacturer's prior written approval. Where such authorization is granted, capacity, operation, and maintenance instruction plates, tags, or decals shall be changed accordingly.

1.3 Responsibilities of Operators

Basic Principles - Operators shall apply sound principles of safety and good judgment in the application and operation of the machine with consideration given to its intended use and expected operating environment. Since the operator is in direct control of the machine, conformance with good safety practices is the responsibility of the operator. The operator shall make decisions on the use and operation with due consideration for the fact that his or her own safety as well as the safety of other personnel on or near the machine is dependent on those decisions.

General Training - Only personnel who have received general instructions regarding the inspection, application and operation of machine, including recognition and avoidance of hazards associated with their operation, shall operate the machine. Such topics covered shall include, but not necessarily be limited to, the following issues and requirements:

1. A pre-start inspection
2. Responsibilities associated with problems or malfunctions affecting the operation of the machine.
3. Factors affecting stability
4. The purpose of placards and decals
5. Workplace inspection
6. Safety rules and regulations
7. Authorization to operate
8. Operator warnings and instructions
9. Actual operation of the machine. Under the direction of a qualified person, the trainee shall operate the machine for a sufficient period of time to demonstrate proficiency in actual operation of the machine.

Pre-start Inspection - Before use each day or at the beginning of each shift, the machine shall be given a visual inspection and functional test including but not limited to the following:

1. Loose or missing parts
2. Nameplates, precautionary and instructional markings and/or labeling
3. Items specified by the manufacturer

Problem or Malfunctions - Any problems or malfunctions that affect the safety of operations shall be repaired prior to the use of the machine.

Before Operations - The operator shall:

1. Read and understand the manufacturer's operating instruction(s) and user's safety rules or have them explained.
2. Understand all labels, warnings, and instructions displayed on the machine or have them explained.

Workplace Inspections - Before the machine is used and during use, the operator shall check the area in which the machine is to be used for possible hazards such as, but not limited to:

1. Bumps, floor obstructions and uneven surfaces
2. Overhead obstructions and electrical hazards
3. Presence of unauthorized persons
4. Other possible unsafe conditions as noted in the operating manual.

Operator Warnings and Instructions - The operator shall ensure the operation of the machine is in compliance with the following:

Distribution of load - The load and its distribution on the platform shall be in accordance with the manufacturer's rated capacity for that specific configuration.

Point of Operation - The operator shall not place any part of their body under the platform.

Precaution for moving equipment - When other moving equipment or vehicles are present, special precautions shall be taken to comply with the safety standards established for the workplace.

Reporting problems or malfunctions - The operator shall immediately report to a supervisor any problem(s) or malfunction(s) that become evident during operation. The operator shall ensure all problems and malfunctions that affect the safety of operations are repaired prior to continued use.

Capacity limitation - Rated capacity shall not be exceeded when loads are transferred to the load enclosure.

Modifications - Modifications or alterations of the machine or the fabrication and attaching of frameworks or the mounting of attachments to the machine or the guarding system shall only be accomplished with prior written permission of the manufacturer.

Assistance to the operator - If an operator encounters any suspected malfunction or any hazard or potentially unsafe condition relating to capacity, intended use or safe operation the operator shall cease operation of the machine and request further instruction from the owner/user.

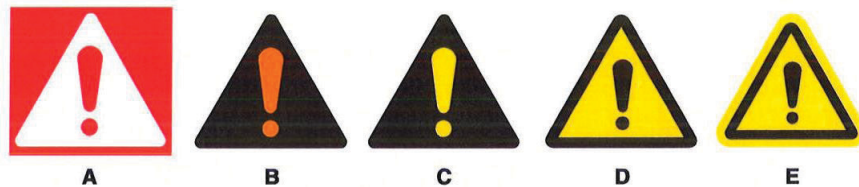
Problems or malfunctions - Any problem(s) or malfunction(s) that affect the safety of operations shall be repaired prior to the use of the machine.

2. Safety

All personnel operating, and maintaining this machine shall read and understand this manual. For questions or concerns contact the manufacturer.

This machine shall be operated, and maintained by trained and/or qualified personnel only.

2.1 Safety Alert Symbols



A symbol that indicates a hazard. It is composed of an equilateral triangle surrounding an exclamation mark. The safety alert symbol is only used on hazard alerting signs. It is not used on safety notice and safety instructions signs.

A – For use with **DANGER** signal word; (safety white triangle, safety red exclamation mark, safety red background)

B – For use with **WARNING** signal word; (safety black triangle, safety orange exclamation mark)

C – For use with **CAUTION** signal word; (safety black triangle, safety yellow exclamation mark)

D & E – For use with **DANGER, WARNING, or CAUTION** signal words; (**D** is a safety yellow triangle with a safety black border and safety black exclamation mark; [**E**] is a safety yellow triangle with a safety black exclamation mark and a safety yellow border around a safety black band)

2.2 Signal Words

DANGER



Indicates a hazardous situation that, if not avoided, will result in death or serious injury.

WARNING



Indicates a hazardous situation that, if not avoided, could result in death or serious injury.

CAUTION



Indicates a hazardous situation that, if not avoided, could result in minor or moderate injury.

NOTICE



Indicates information considered important, but not hazard-related (e.g., messages relating to property damage).

3. Labeling

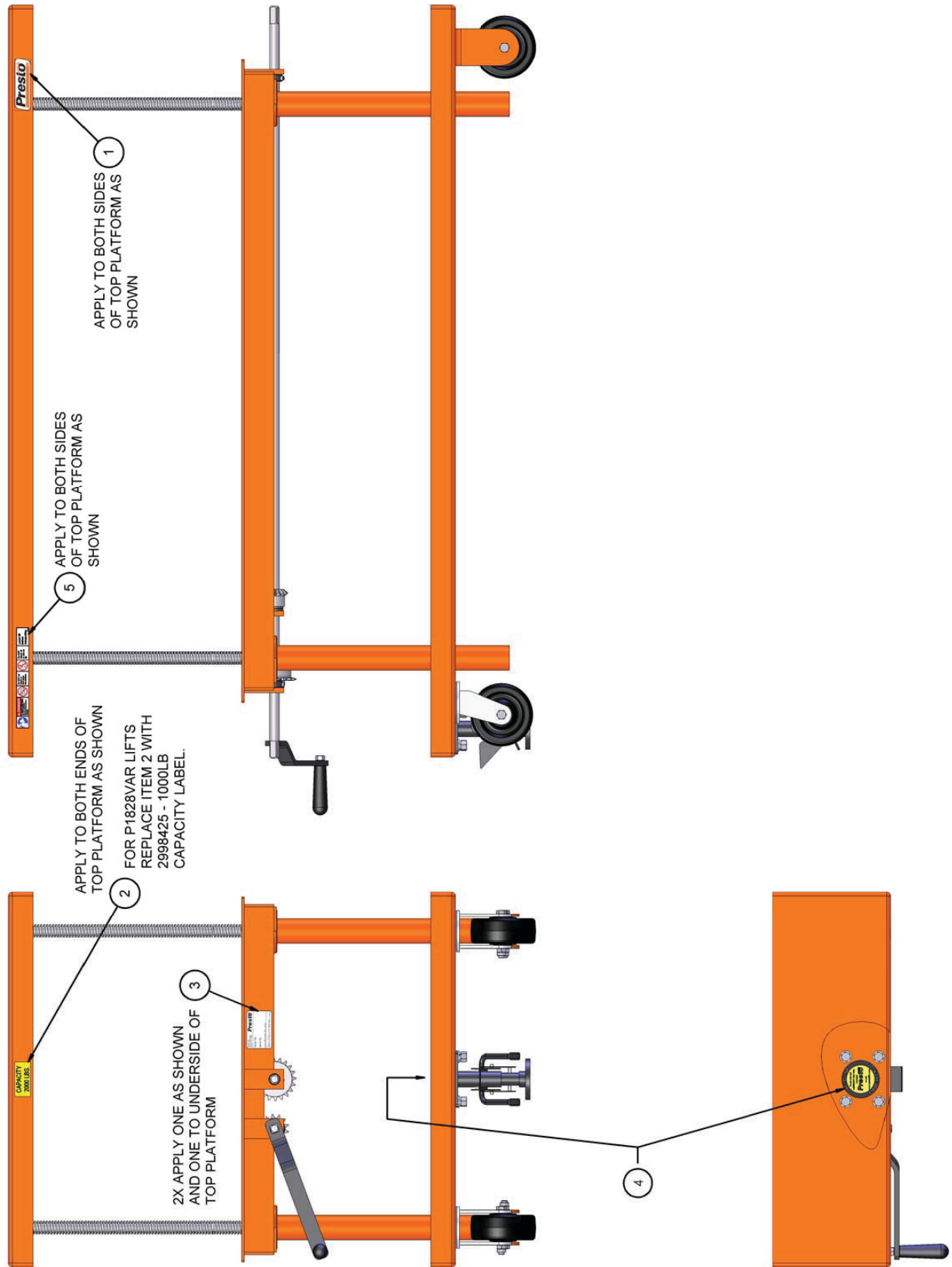
This machine has labeling to indicate potential hazards this machine may pose when operating and/or maintaining the machine. All labels must be legible. If any label is missing, damaged, or otherwise illegible contact the manufacturer for replacement labels.

3.1 Label Part Numbers & Quantity

Item	Part Number	QTY.
1	30000568	2
2	2998427	2
2*	2998425	2
	FOR P1828VAR ONLY	
3	10079930	2
4	30000414	1
5	10093327	2



3.2 Label Location Diagram



4. Operation



WARNING

To avoid death or serious injury:

- Do not put hands or feet under the platform.
- Do not sit, stand, or ride on the lift.

NOTICE

It is recommended to always lower the platform before transporting a load. Care should be taken to secure loads to the platform to avoid the load sliding off of the platform in the event of sudden stop.

The load must never exceed the lift's rated load capacity. Exceeding the load capacity can damage the machine and make the lift unstable (See Specification Section).

To avoid unintended movement of the lift during loading and unloading, always engage the floor lock.

To operate the lift:

- If not installed, install the hand crank onto one of the two shafts. The hand crank can be installed on either end of the lift. When installed on the main shaft the platform will raise faster. Fine height adjustments can be made by installing the hand crank on the slow speed shaft.
- To raise the platform turn the shaft clockwise.
- To lower the platform turn the shaft counter-clockwise.
- To engage the floor lock, press down on the floor lock pedal.
- To disengage the floor lock, pull up on the floor lock pedal.
- When not raising or lowering the platform, remove the hand crank to avoid unintended movement of the platform.

5. Maintenance

5.1 Daily Maintenance

- Ensure chain, sprockets, and screw threads are free of debris.
- Ensure casters roll freely.
- Ensure floor lock engages and prevents movement when engaged.
- Ensure all fasteners are tight.

5.2 Monthly Maintenance

- Check for damage.

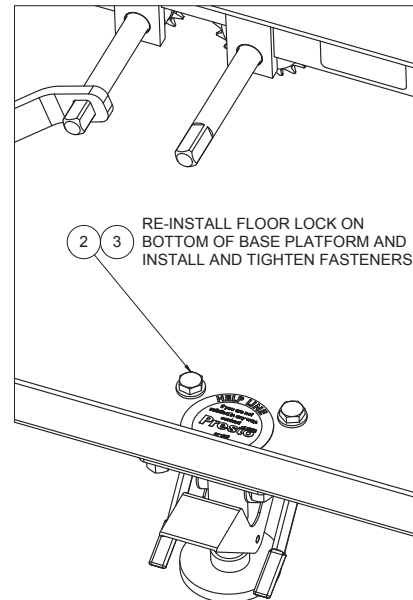
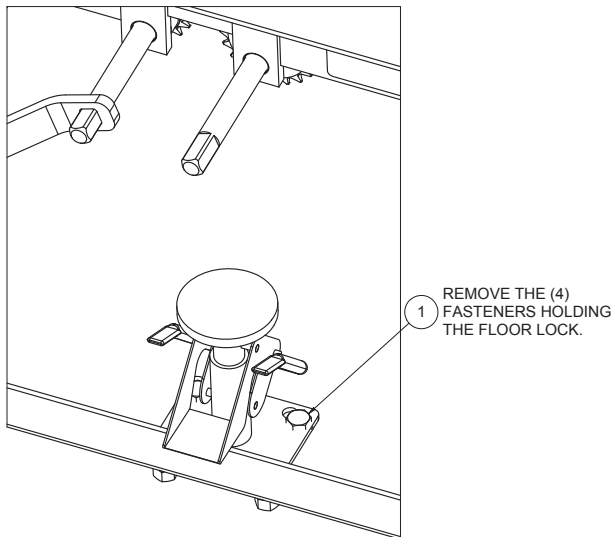
- Clean all screw threads, the chain, and sprockets of debris and check for damage. Repair or Replace as needed.
- Apply a light oil to all screw threads, chain, and sprockets.
- Tighten all sprocket set screws.

6. Procedures

6.1 Caster & Floor Lock Remounting

To remount the casters and floor lock to the bottom of the base platform:

1. Remove the four (4) fasteners holding the floor lock onto the top of the base platform.
2. Reinstall the caster on the bottom of the base platform. Ensure all fasteners are tight.
3. Repeat steps one and two for each caster.



7. Troubleshooting

Symptom	Possible Cause	Remedy
Platform will not raise / Platform will not lower.	Chain may be seized or broken.	Check chain for damage. Repair or replace as needed.
	Screw Threads may be clogged with debris or damage.	Clean screw threads for debris. Clean and apply light oil.
	Chain may be stretched.	Replace chain.
	Sprockets may be loose.	Check sprockets and tighten set screws as needed.
Lift will not roll.	The casters may be damaged.	Check casters, repair or replace as needed.

8. Replacement Parts

Presto-ECO Lifts has carefully chosen the components in your unit to be the best available for the purpose. Replacement parts should be identical to the original equipment. Presto-ECO Lifts will not be responsible for equipment failures resulting from the use of incorrect replacement parts or from unauthorized modifications to the unit.

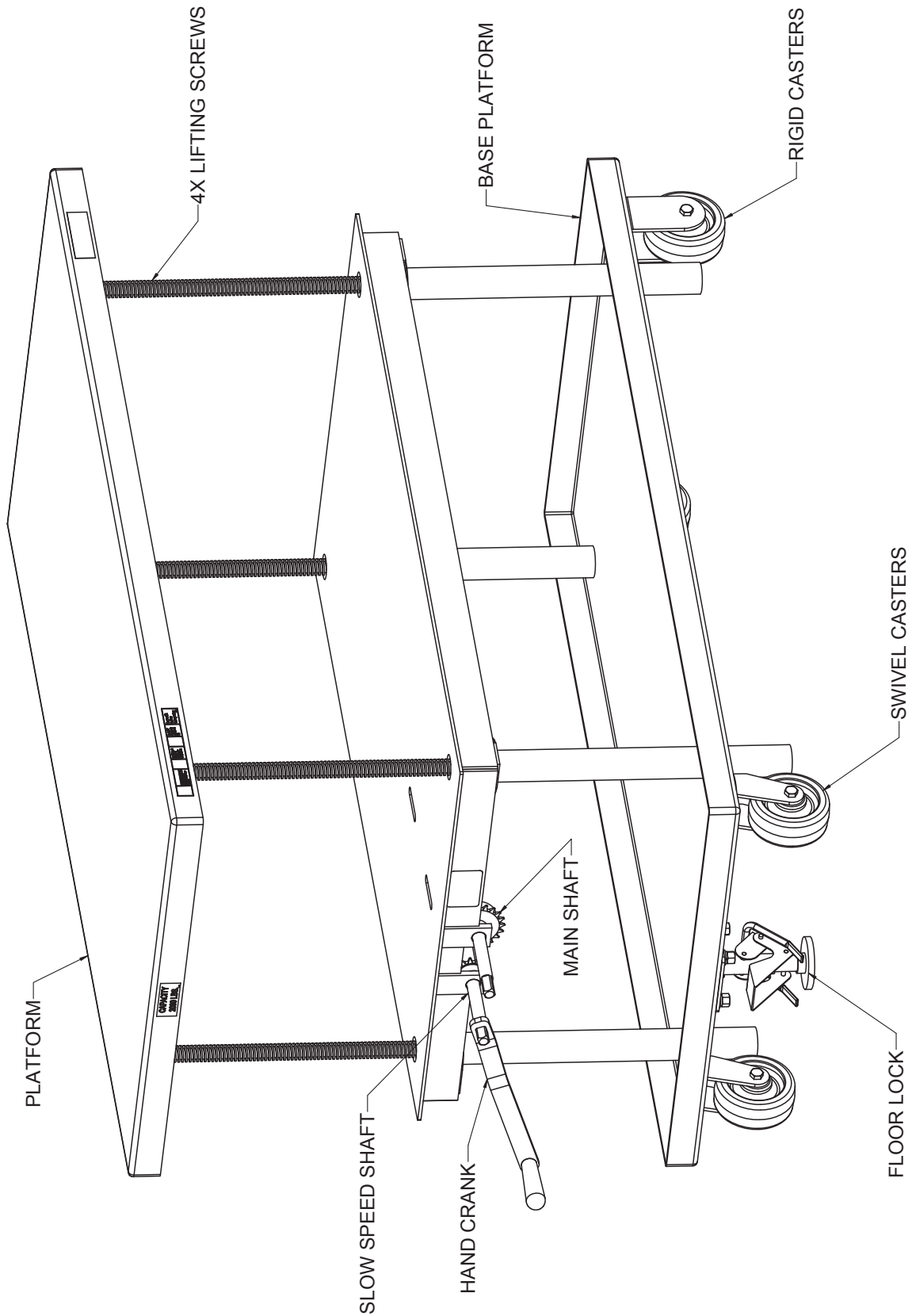
Presto-ECO Lifts can supply all replacement parts for your lift. With your order, please include the model number and the serial number of the unit. You can find these numbers on the name plate. This plate is located within the scissors mechanism.

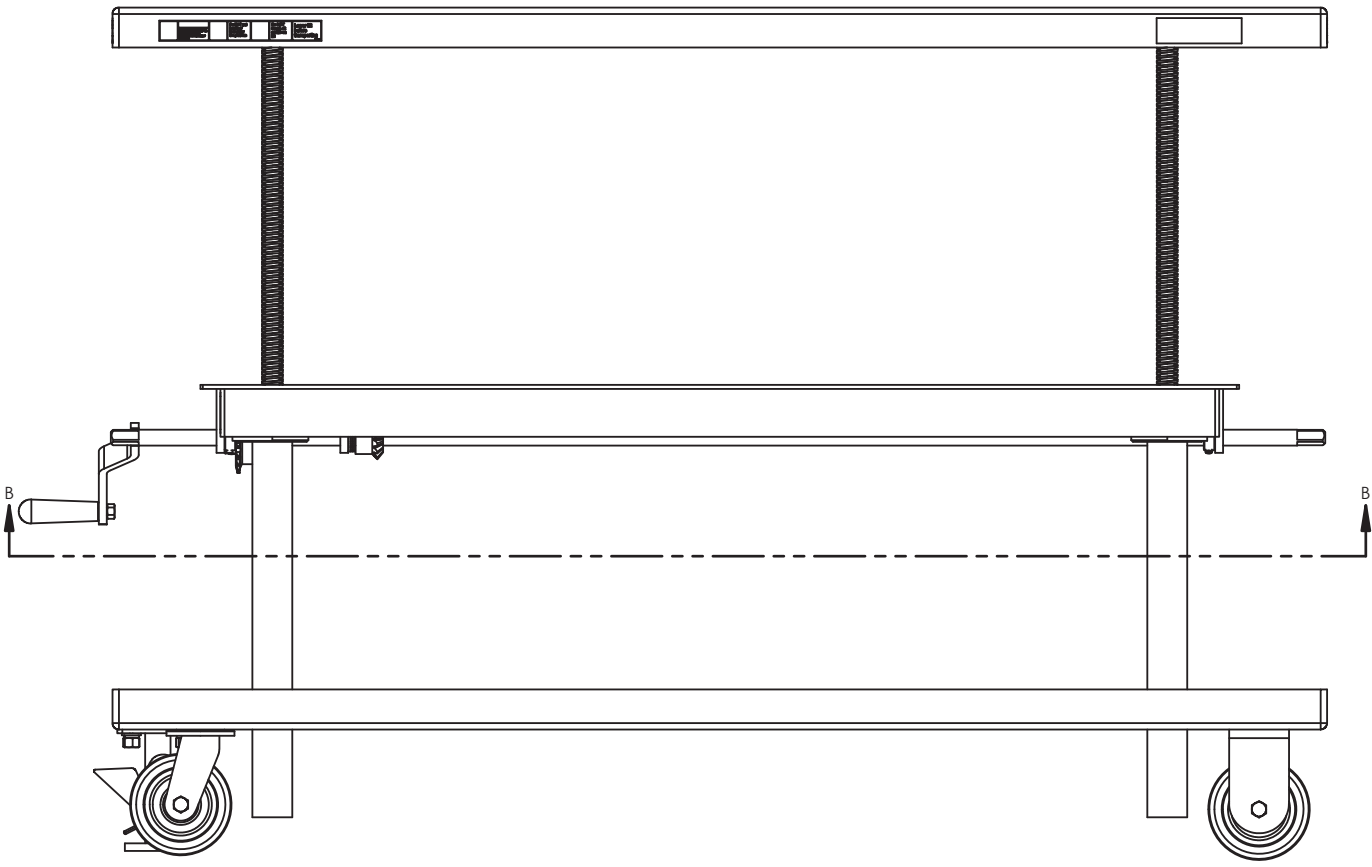
To order replacement parts, please call the Presto-ECO Parts Department. Parts are shipped subject to the following terms:

- FOB factory
- Returns only with the approval of our parts department.
- Credit cards preferred (except parts covered by warranty).
- Freight collect for truck (except parts covered by warranty).
- Freight – prepaid and invoice for small parcel shipments (except parts covered by warranty).
- The warranty for repair parts is 30 days from date of shipment.

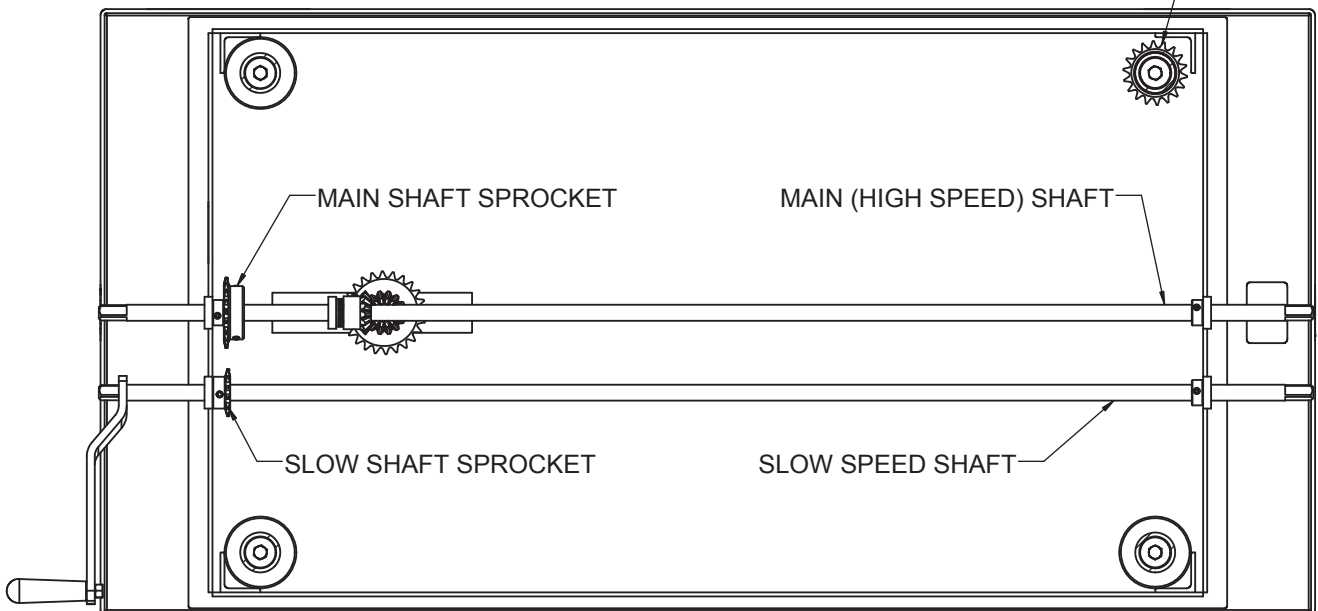
Parts replaced under warranty are on a “charge-credit” basis. We will invoice you when we ship the replacement part, then credit you when you return the worn or damaged part, and we verify that it is covered by our warranty. Labor is not covered under warranty for Parts orders.

9. Component Identification





4X CORNER SPROCKETS



10. Warranty & Contact Information

Presto Lifts warrants this product to be free from defects in material or workmanship for the duration of the warranty period. Warranty periods vary and begin on the date of shipment. For specific warranty information, contact Presto Lifts with the machine's serial number.

Any claim for breach of this warranty must be received in writing by Presto Lifts within the warranty period. Warranties shall not cover failure or defective operation, caused by misuse, misapplication, negligence or accident, exceeding recommended capacities, or any alteration or repair of the item purchased which has not been authorized by Presto Lifts. Except as set forth herein, Presto Lifts makes no other warranties, express or implied, including THE WARRANTIES OF MERCHANTABILITY AND OF FITNESS FOR A PARTICULAR PURPOSE, all of which ARE HEREBY EXCLUDED.

Presto Lifts meets the labeling requirements of California's Proposition 65. Presto Lifts makes no warranty or representation with respect to the compliance of any product with other State or local safety or product standard codes and any failure to comply with such codes shall not be considered a defect of material or workmanship under this warranty. Presto Lifts shall not be liable for any direct or consequential damages arising out of such non-compliance.

Presto Lifts' obligations under any warranty or for any other damages which may arise under any sale, agreement, or contract, are limited to the replacement or repair of defective components at its factory or another location at Presto Lifts' discretion. This is buyer's sole remedy under any such warranty, sale, agreement, or contract. Presto Lifts will not be liable for consequential, incidental, exemplary, or punitive damages of any kind resulting from a breach of any warranty that it has provided or for breach of any term of any sale, agreement, or contract. Any warranty may be altered only in writing by Presto Lifts.

All commodities, software, or technology purchased from Presto Lifts are subject to the export and re-export control laws and regulations of the United States, including but not limited to the Export Administration Regulations ("EAR") and Department of the Treasury Office of Foreign Asset Controls ("OFAC") Regulations. Presto Lifts expects all distributors and customers to comply with these laws and regulations. Without limiting the foregoing, the distributor/customer cannot, without proper authorization from the applicable United States Government Agency, export, re-export, or transfer any commodity, software, or technology purchased from Presto Lifts, either directly or indirectly, to any entity, country, or national of any country in breach of such laws and regulations. Furthermore, Presto Lifts expects that the distributor/customer shall indemnify and hold harmless Presto Lifts from and against any claim, proceeding, action, fine, loss, cost and damages arising out of or relating to any noncompliance with export control regulations by distributor/customer, and distributor/customer are expected to compensate Presto Lifts for all losses and expenses resulting thereof, unless such noncompliance was clearly not caused by fault of the distributor/customer.

Presto-ECO Lifts

50 Commerce Way, Norton, MA 02766

Phone: 800.343.9322

Fax: 888.788.6496

www.PrestoLifts.com

Email: service@prestolifts.com